

EVOLUTION™ OVAL

- 2645VC Whirlpool w/EverClean® System**
 - EverClean® System
 - Acrylic with fiberglass reinforcement
 - 1.4 HP single speed, self-draining pump/motor
 - Six adjustable Comfort Jets™
 - Molded-in lumbar back rest
 - Side-mounted air switch On/Off
 - Two air volume controls
 - Factory installed and tested whirlpool system
 - Self leveling feet
 - Undermount installation option
 - Quick connect whirlpool heater system (must order whirlpool heater separately)

- 2645V Whirlpool**
 - Same as above except without the EverClean

- 2645V.002 Bathing Pool**

Nominal Dimensions:

66" x 36" x 19-3/4"
(1676 x 914 x 502mm)

Compliance Certifications -

Meets or Exceeds the Following Specifications:

- Underwriters Laboratories - Hydromassage Bathtubs UL 1795
- ASME A112.19.7M for Whirlpool Appliances
- ANSI Z124.1 for Plastic Bathtubs
- ASTM E162 for Flammability
- NFPA 258 for Smoke Density

American Standard whirlpools with EverClean® incorporate a patented silver-ion additive right into the circulation piping to protect the pipes from mold, mildew, algae and fungus that could cause deterioration or staining of the pipes.

SEE REVERSE FOR ROUGHING-IN DIMENSIONS
AND PRODUCT SPECIFICATIONS



To Be Specified - Required:

- Color:
- Bath Filler: (specify finish)
- Bath Drain: 1583.470 (specify finish)

To Be Specified - Optional:

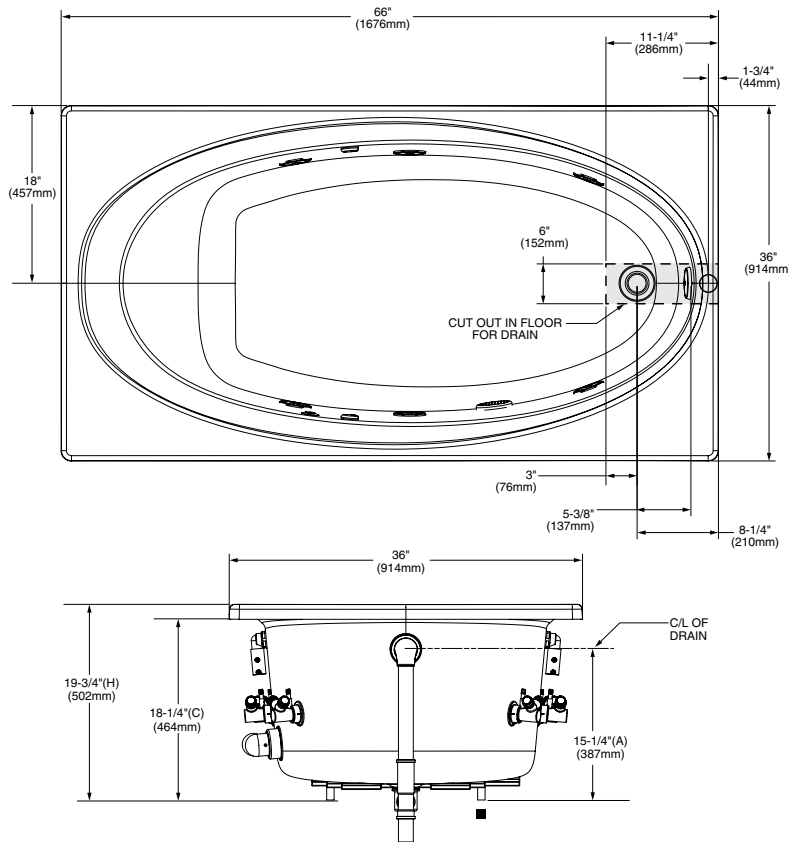
- 5-1/2 Foot Apron: 9266.018.XXX (specify color)
- Safe-T-Heater Whirlpool Heater: 9075.120
- Tile Bead Kit: 751755-100

* See American Standard Faucet Selector

For color/finish availability and other faucet choices, please see the Product Selector and Pricing Guide.

NOTE: Whirlpool Heater is designed to maintain water temperature during operation. It will not heat cold water to desired bathing temperature.

2645V
Whirlpool shown



DIMENSIONS OF FIXTURES ARE NOMINAL AND MAY VARY WITHIN THE RANGE OF TOLERANCES ESTABLISHED BY ANSI STANDARDS Z124.1 AND A112.19.7.

GENERAL SPECIFICATIONS FOR 2645V WHIRLPOOL

INSTALLED SIZE _____ 66 x 36 x 19-3/4 In.
(1676 x 914 x 502mm)
WEIGHT _____ 96 Lbs. (44 Kg.)
WEIGHT w/WATER _____ 580 Lbs. (263 Kg.)
GAL. TO OVERFLOW _____ 58 Gal. (219 L)
WHIRLPOOL MIN. OPERATING VOL. _____ 42 Gal. (159 L)
BATHING WELL AT SUMP _____ 49 x 26 In. (1245 x 660mm)
BATHING WELL AT RIM _____ 62 X 32 In. (1575 x 813mm)
WATER DEPTH TO OVERFLOW _____ 12-3/4 In. (324mm)
FLOOR LOADING _____ 35 Lbs./Sq.Ft. (171 Kgs./Sq.m)
(PROJECTED AREA)

WHIRLPOOL ELECTRICAL SPECIFICATIONS

PUMP _____ 1.4 HP, 9.7 AMPS, 120V.

GENERAL SPECIFICATIONS FOR 2645V BATHING POOL

INSTALLED SIZE _____ 66 x 36 x 19-3/4 (1676 x 914 x 502mm)
WEIGHT _____ 81 Lbs. (37 Kg.)
WEIGHT w/WATER _____ 565 Lbs. (256 Kg.)
GAL. TO OVERFLOW _____ 58 Gal. (219 L.)
BATHING WELL AT SUMP _____ 49 x 26 In. (1245 x 660mm)
BATHING WELL AT RIM _____ 62 x 32 In. (1575 x 813mm)
WATER DEPTH TO OVERFLOW _____ 12-3/4 (324mm)
FLOOR LOADING _____ 34 Lbs./Sq.Ft. (167 Kgs./Sq.m)
(PROJECTED AREA)

NOTES:

BATH CAN BE INSTALLED EITHER ABOVE OR BELOW FLOOR LINE AS PIER, ISLAND, OR PENINSULA TYPE INSTALLATION. SUMP OF BATH IS SUPPORTED BY INTEGRAL FEET. NO ADDITIONAL SUPPORT REQUIRED. ENCLOSING MATERIAL BY OTHERS.

■ REFER TO INSTALLATION INSTRUCTIONS SUPPLIED WITH WHIRLPOOL FOR ADDITIONAL INFORMATION.

OPTIONAL APRON 9266.018 OR 9366.018 AVAILABLE AND MUST BE ORDERED SEPARATELY.

FITTINGS NOT INCLUDED, MUST BE ORDERED SEPARATELY.

PROVIDE SUITABLE REINFORCEMENT FOR ALL SUPPORTS.

IMPORTANT: Dimensions of fixtures are nominal and may vary within the range of tolerances established by ANSI Standard Z124.1 These measurements are subject to change or cancellation. No responsibility is assumed for use of superseded or voided pages.